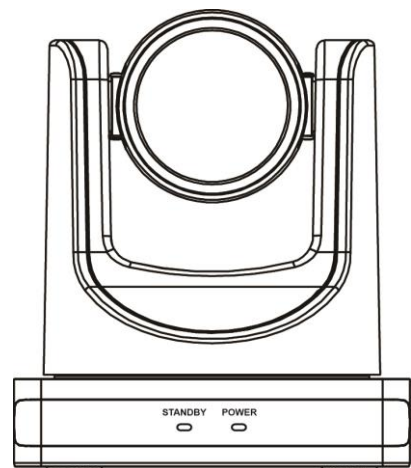
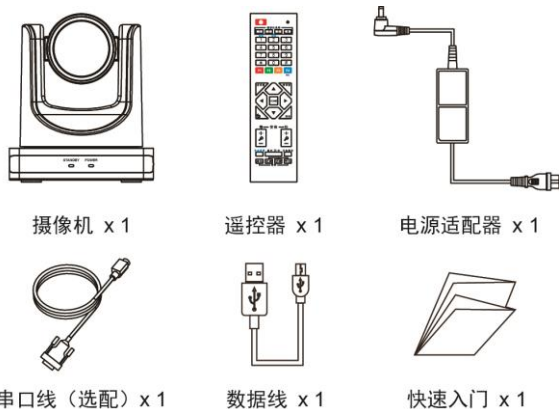


USB 视频会议摄像机 快速入门

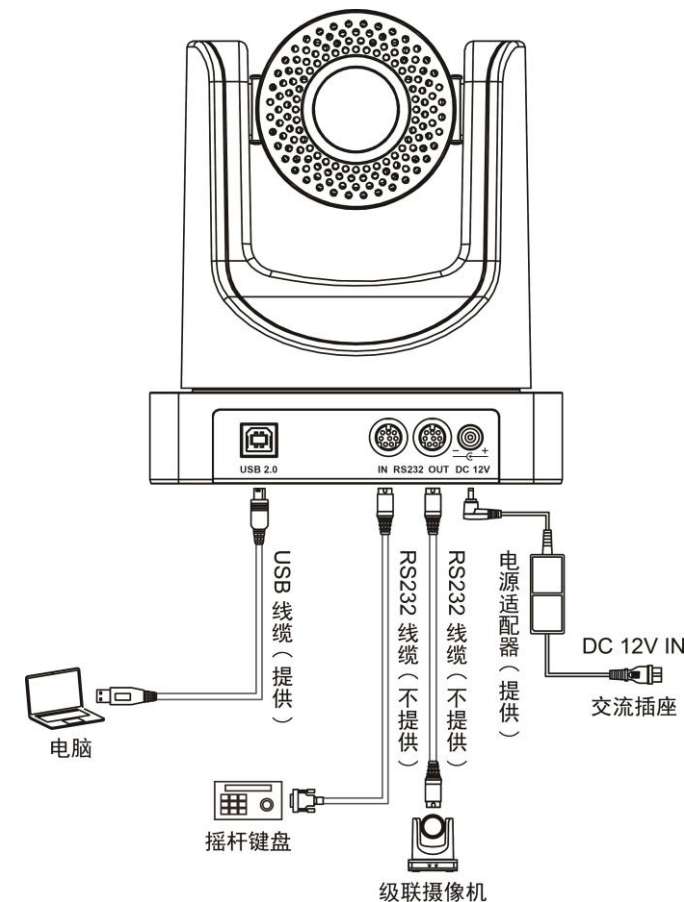
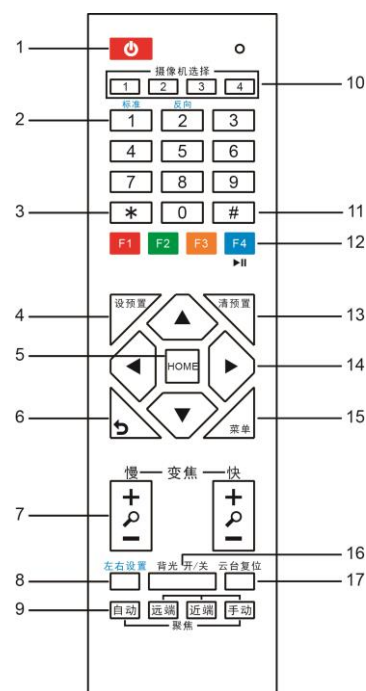
1 外观与连线



2 装箱清单



3 遥控器

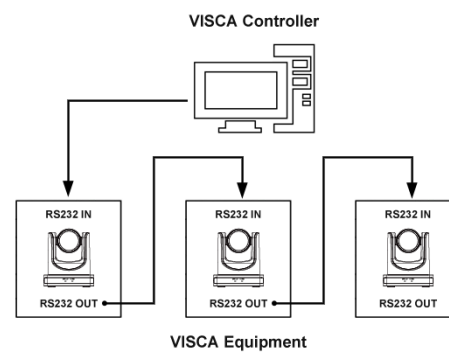


序号	名称	功能简述
1	待机键	按下后摄像机进入待机模式
2	数字键	设置预置位或调用预置位
3	*键	与其他按键配合使用
4	设预置位键	设置预置位: 设预置+数字键 (0-9)
5	HOME键	确认所选菜单或按下后台回到中间位置
6	返回键	按下后OSD菜单返回到上一级
7	变焦键	慢速或快速将镜头拉广角/窄角
8	左右设置键	<ul style="list-style-type: none"> 同时按左右设置键+1 (标准水平方向) 同时按左右设置键+2 (反向水平方向)
9	聚焦键	切换聚焦: 自动/手动/远端/近端聚焦
10	摄像机选择键	选择需要控制的摄像机
11	#键	与其他按键配合使用
12	红外遥控地址键	【*+#+F1/F2/F3/F4】: 1/2/3/4号地址
13	清除预置位键	清除预置位 (清除预置位+对应预置位数字键)
14	云台控制键	按下后台按箭头指示方向移动
15	菜单键	按下后进入或退出OSD菜单
16	背光补偿键	打开/关闭背光补偿 (循环作用)
17	云台复位键	按下后台开始自检

4 RS232 接口

接口图	序号	功能	序号	功能
	1	DTR	5	RXD
	2	DSR	6	GND
	3	TXD	7	IR OUT
	4	GND	8	NC

5 VISCA 组网方式



6 安全使用须知

电气安全

本产品安装使用必须严格遵守当地各项电气安全标准。

电源极性

本产品采用直流+12V 电源，最大电流 2A，请注意电源极性。

小心安装

请勿抓住摄像机头部来移动摄像机。

请勿用手旋转摄像机的头部，否则可能会引起机械故障。

本产品应放在平稳的桌面或其它水平面上，不可将本产品倾斜安装；本产品外壳为有机材料，严禁与有可能造成外壳腐蚀的各种液体、气体或固体物质接触；安装时应确保云台转动范围内无任何障碍，完成全部安装前请勿通电。

不要擅自拆卸

本产品并无用户可以自行维修的部件，由于用户自行拆卸造成的损坏不属于保修范围。



- 注意
- 特定频率下的电磁场可能会影响本机的图像！
- 摄像机在使用过程中，严禁热插拔电源。

7 常见问题处理

图像方面

- 显示器显示无图像
 - 检查摄像机电源是否接好，电压是否正常，电源指示灯是否点亮。
 - 闭合电源开关摄像机是否能正常自检。
 - 检查视频平台、电视机的线缆是否连接正确。
- 图像时有时无
 - 检查视频平台、电视机的线缆是否连接正确。
 - 摄像机镜头最大倍数时，图像有抖动
 - 检查摄像机装置位置是否牢靠。
 - 检查摄像机旁是否有震动的机械或物体。

控制方面

- 遥控器不能控制
 - 检查并更换新的遥控器电池。
 - 检查摄像机是否处于正常工作模式。
 - 检查遥控器的地址键是否和摄像机匹配。
- 串口不能控制
 - 检查摄像机的协议、地址等是否一致。
 - 检查摄像机控制线是否连接良好。

8 有毒有害物质声明

部件名称	有毒有害物质或元素					
	铅 (Pb)	汞 (Hg)	镉 (Cd)	六价铬 (CrVI)	多溴联苯 (PBB)	多溴二苯醚 (PBDE)
金属	x	o	o	o	o	o
塑料	o	o	o	o	o	o
玻璃	x	o	o	o	o	o
线路板	x	o	o	o	o	o
电源	x	o	o	o	o	o
附件	x	o	o	o	o	o

本表格依据SJ/T 11364的规定编制。

o: 表示该有害物质在该部件所有均质材料中的含量均在GB/T 26572规定的限量要求下。

x: 表示该有害物质至少在该部件某一均质材料中的含量超出GB/T 26572规定的限量要求，且目前没有成熟的替代方案。

9 保修卡

自购机之日起一年内如果出现非人为原因造成的故障，可享受产品保修服务。用户使用过程中，符合下列情况之一者不在保修范围：

- 由于擅自拆机、改装等人为原因造成的故障。
- 由于使用环境不符合产品要求造成的故障。
- 由于不可抗因素（如火灾、地震、雷击等）而造成的故障。
- 保修卡与产品编号不符或者保修卡被涂改。

为了更好地为您服务，购买产品后，请您阅读、填写并妥善保管好此保修卡。

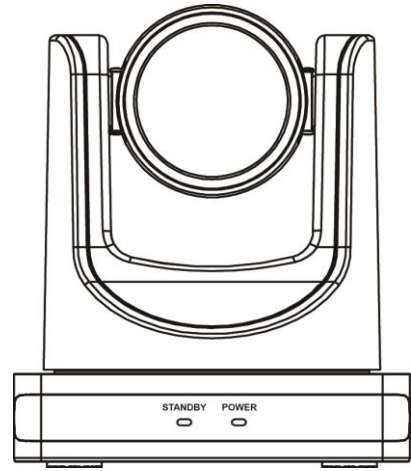
用户姓名	
用户地址/邮编	
联系电话	
产品型号	
产品编号	
购买日期	
发票号码	
销售单位名称	

用户保存 遗失不补

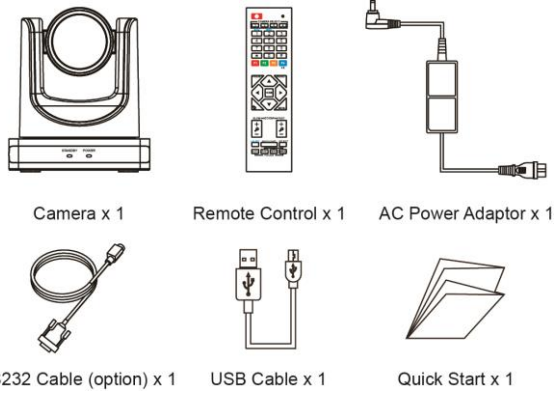
销售单位: (盖章)

USB Video Conference Camera Quick Start

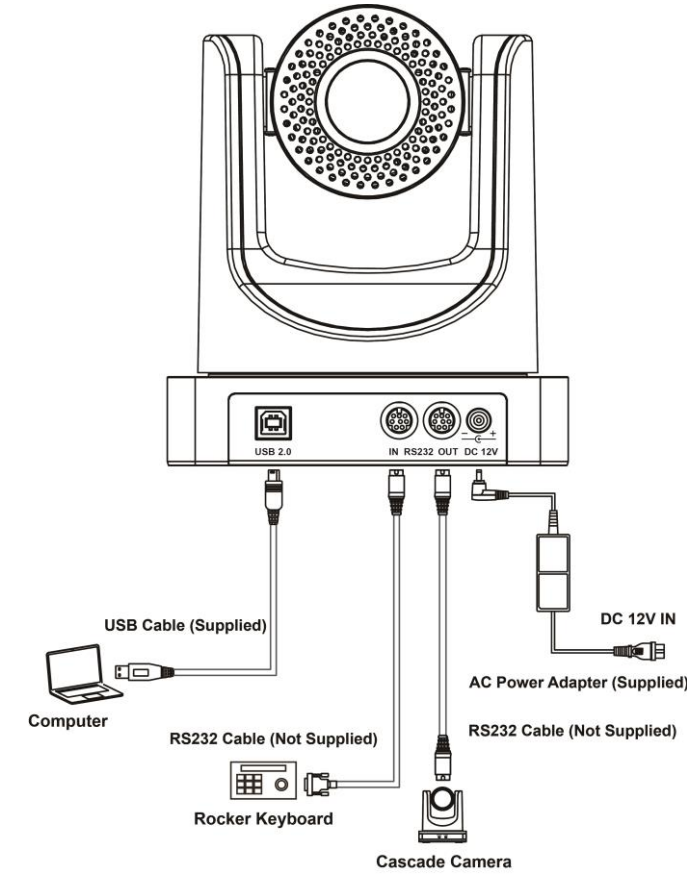
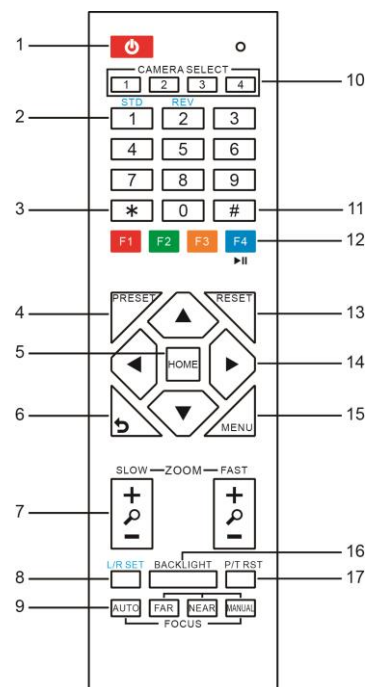
1 Appearance and Connection



2 Packing List



3 Remote Control

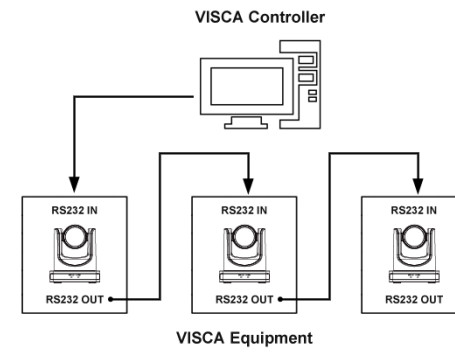


No.	Name	Function Description
1	Standby Key	Enter into standby mode by pressed it
2	Number Key	Preset setting or transfer preset
3	*Key	Equipped with other keys for using
4	Preset Key	Preset: Setting Preset + Number key (0-9)
5	HOME Key	Confirm menu or the PTZ will back to the middle position after pressed it
6	Return Key	Return back the last level menu
7	Zoom Button	Making the lens wide angle/narrow angle slowly or quickly
8	Left/Right Setting Key	<ul style="list-style-type: none"> Standard: Simultaneously press Left/Right setting key + 1 (horizontal) Reverse: Simultaneously press Left/Right setting key + 2 (horizontal)
9	Focus Key	auto/manual/far-end/near-end focus
10	Selection Key	Select the camera need to control
11	#Key	Need to equipped with other key
12	IR Remote Control Key	[*+ # +F1/F2/F3/F4]: NO.1/2/3/4 address
13	Reset Key	Delete preset (reset key + corresponding preset number key)
14	PTZ Control key	PTZ moved according to the arrow indicates
15	Menu Key	Enter or exit OSD Menu after pressed it
16	Backlight Key	Turn on/off backlight consumption (loop)
17	PTZ Reset Key	PTZ starts to self-test after pressed it

4 RS232 Interface

Interface diagram	No.	Function	No.	Function
	1	DTR	5	RXD
	2	DSR	6	GND
	3	TXD	7	IR OUT
	4	GND	8	NC

5 VISCA Network



6 Safety precautions

Electrical safety

The installation and use of this product must strictly comply with local electrical safety standards.

Power polarity

This product uses DC +12V power supply, the maximum current 2A, please pay attention to the polarity of power supply.

Careful installation

Do not grab the camera head to move the camera. Do not rotate head of camera by hand, it may cause mechanical problems.

Do not unauthorized disassemble

This product has no parts which can be repaired by the user. The damage caused by the user's own disassembly is not covered by warranty.



- Electromagnetic fields at specific frequencies may affect the image of the machine.
- Do not hot-plug the power supply during the use of the IP Camera.

7 Troubleshooting

Image

- The monitor shows no image
 - Check that the camera power supply is connected, the voltage is normal, and the power indicator light is always on.
 - Turn off the power switch to check whether the camera is self-testing.
 - Check the cable of video platform and TV whether correct connection.
- Sometimes without the image
 - Check the cable of video platform and TV whether correct connection.
 - Image have jitter when the camera lens at max multiple
 - Check whether the camera installed position be stabled.
 - Check whether have vibrating machinery or object near the camera.

Control

- Remote control can not control
 - Check and replace the new battery for the remote controller.
 - Check whether the camera working mode is correct.
 - Check whether the address of remote control can match the camera.
- Series port can not control
 - Check whether the camera protocol, address such is the same.
 - Check whether the control line is connected well.

8 Toxic and harmful substances

Part Name	Toxic or harmful substances or elements					
	(Pb)	(Hg)	(Cd)	(CrVI)	(PBB)	(PBDE)
Metal	x	o	o	o	o	o
Plastic	o	o	o	o	o	o
Glass	x	o	o	o	o	o
Circuit board	x	o	o	o	o	o
Power	x	o	o	o	o	o
Attached	x	o	o	o	o	o

This form is compiled in accordance with SJ/T 11364.

O: Indicates that the content of the hazardous substance in all homogenized materials of the component is subject to the limit specified in GB/T 26572.

x: Said the hazardous substance in at least one of the components homogenized material content in excess of the GB/T 26572 limit requirements, and there are no mature alternatives.

9 Warranty Card

If failure caused by non-human causes occurs within one year from the date of purchase of the machine, you may enjoy the warranty service of the product.

Any of the following circumstances is not covered by the warranty:

- Without disassemble, modification such as fault causes.
- Use of an environment does not conform to requirements of the product.
- Irresistible factors, such as fire, earthquake, lightning strike, etc.
- Warranty card does not match the product number or it is altered.

User Name	
User Address/Post Code	
Contact Number	
Product Model	
Product Series	
Purchasing Date	
Invoice No.	
Sales Department	

User save, lost or not compensated

Sales Department: (seal)